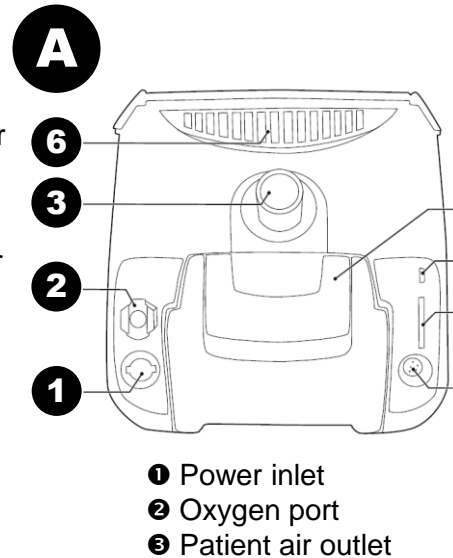


## CONNECT AND SET UP THE VIVO 2 & VIVO 3

### 1 How do I connect the ventilator? (Image A)

- **Connect 1** to the power adapter and then to mains power.
- **Connect 2** to the oxygen supply, if required via an adapter (wall, cylinder or concentrator)
- **Connect 3** to the patient circuit

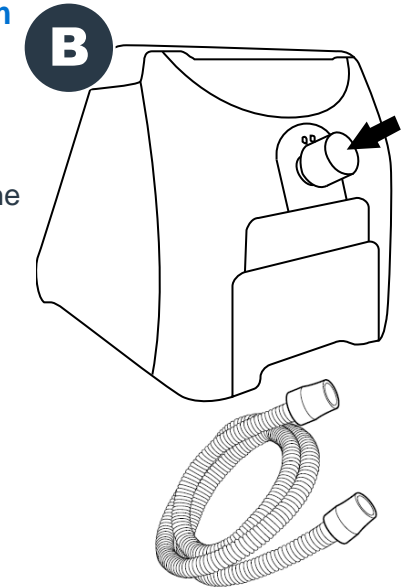
**VIVO 2 HAS NO INTERNAL BATTERY, SO MUST BE CONNECTED TO A POWER SOURCE AT ALL TIMES.**



- 1 Power inlet
- 2 Oxygen port
- 3 Patient air outlet

### 2 How do I set up the breathing system and the HME filter? (Image B)

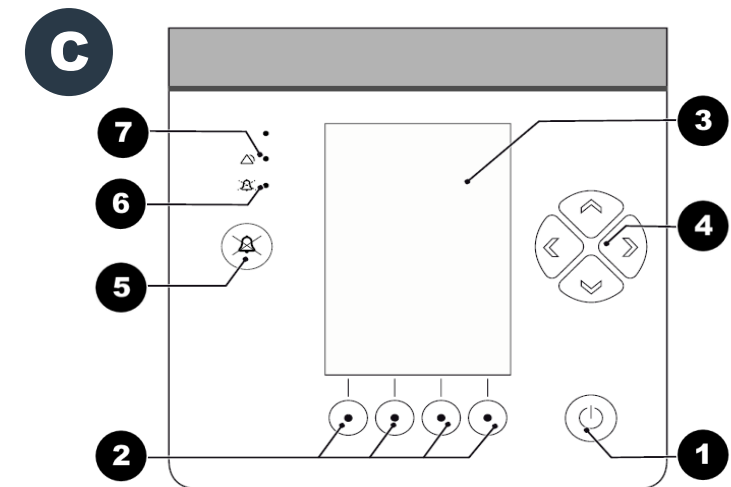
- Ensure that the air inlet filter is correctly positioned in the air inlet (6 in image A)
- Connect a low resistance bacterial filter on the patient air outlet (arrow or 3 on image A)
- Connect the patient tubing to the outlet of the filter
- Connect the patient interface to the other end of the tubing
- If there is no integrated leakage port at the patient interface, a leakage valve will need to be attached



## SET THE CONTROLS ON THE VIVO 2 & VIVO 3

### 3 What controls does the ventilator have? (Image C)

- 1 ON/OFF: Turn the machine on and off here, and activate the machine from standby mode.
- 2 Navigation buttons: Use these buttons to select which screen you wish to display or edit (Monitor, Set up, Alarm, Others)
- 3 Display Screen: This screen displays the selected screen or monitoring screen when in use
- 4 Directional buttons: Use the **up and down** arrows to **scroll** through the selected screen. Use the **right and left** arrows to select and **change parameters**.
- 5 Audio pause button: Press this button to silence alarms and the LED 6 will flash during the pause period
- 7 Alarm LED: Flashes during active alarms.



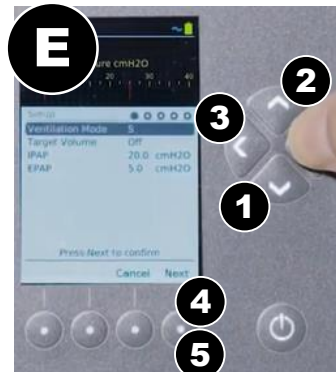
## OPERATE THE VIVO 2 & VIVO 3

### 4 How do I select the mode?

Turn the machine **on**, select **Set up** using the navigation buttons. Use the right facing arrow to select “ventilation mode” (Images D&E). **CPAP** can be selected by scrolling through the list.

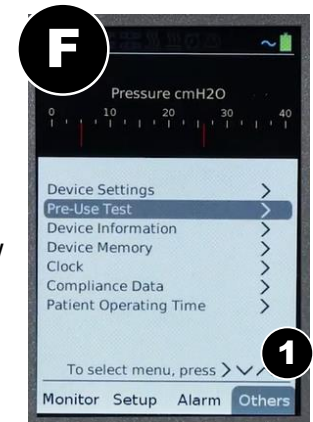
### 5 How do I set the parameters? (Image D&E)

- Once the CPAP ventilation mode has been selected, use the **downward arrow** to scroll through the parameters
- Select a parameter to change with the **right facing arrow** (image E)
- Then use the **left arrow** to reduce values e.g. PEEP and the **right arrow** to increase the value. **Default CPAP setting is 10cmH2O**
- Press **NEXT** using the **navigation buttons** to scroll through the screens of additional settings and alarms. Leave these unchanged to default to the manufacturers settings.
- On the final screen, when all parameters are set or have been left on default, press **CONFIRM**, using the **navigation button**



### 6 How do I check the device? (Image F)

- When the device is turned on, hold the **ON/OFF** switch until the “starting treatment” bar is filled on the screen.
- An automatic alarm signal test will be performed and success is indicated by a short beep indicating audio functioning, the alarm LED lights yellow and then red, the audio pause LED lights yellow and then both lights turn off.
- Then select the **OTHERS** screen using the navigational buttons and select **pre-use test** using the right facing arrow 1
- The pre-use test will take you through some basic steps screen by screen.
- Check the power fail alarm by unplugging the machine for at least 5 seconds



### 7 What do the alarms mean? (Image G)

- The LED will flash **red** for **high priority** alarms and **yellow** for **medium priority** alarms.
- Audio for high priority alarms sound as 3 short signals followed by 2 more in 0.5s. This pattern is then repeated.
- Medium priority alarms sound as 3 signals repeated every 6<sup>th</sup> second
- The alarms can be silenced with the audio pause button but the LED will continue to flash.
- There are 2 pages of alarm settings which can be set as per the clinicians wish using the arrow buttons.
- The alarms, most likely to require attention or those that are most clinically significant are: **Disconnection, Low pressure, Low breath rate and Apnoea, High pressure and Power failure.**



Latest Training Information can be found on: <https://portal.e-lfh.org.uk/Component/Details/606835>