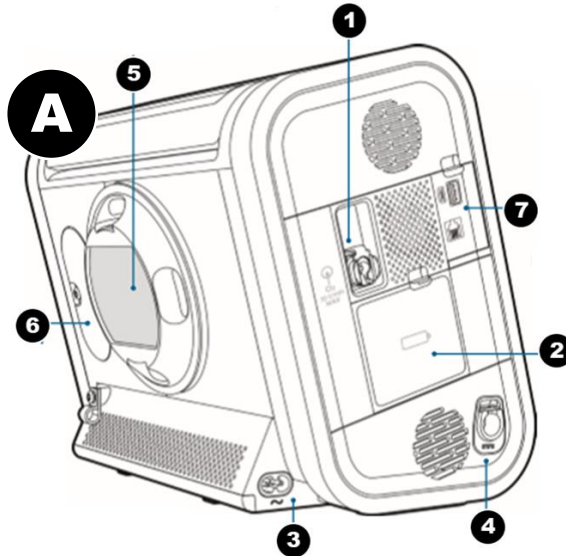


CONNECT AND SET UP DEVICE

1 How do I connect the ventilator? (Image A)

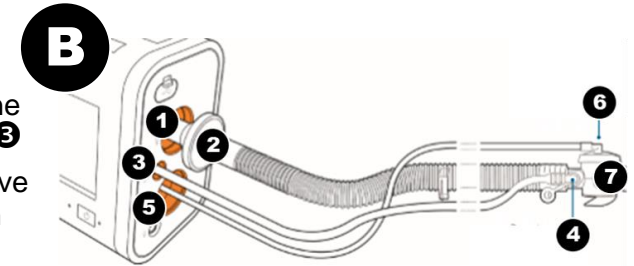
- Attach oxygen to low-flow oxygen inlet **1**
- Insert internal battery at **2**
- Connect AC mains power to **3**
- Optional connections are labelled at **4** to **7**

- 1** Low flow oxygen inlet
- 2** Battery access
- 3** AC power
- 4** DC power
- 5** Air inlet foam filter
- 6** FiO2 sensor access
- 7** USB port and remote alarm or nurse call connectors (RJ9)



2 How do I set up the breathing system and the HME filter? (Image B)

- Connect bacteria filter **2** to inspiratory port **1**
- Connect proximal pressure line **4** to proximal pressure port **3**
- Connect active exhalation valve pressure line **6** to exhalation valve and active exhalation valve line connection **5**
- Connect active exhalation valve **7** to CPAP mask
- To monitor flow, attach flow sensor between the circuit and mask and connect flow sensor transducer line to the device



- 1** Inspiratory port
- 2** Bacterial filter
- 3** Proximal pressure connection
- 4** Proximal pressure line
- 5** Active exhalation valve line connection
- 6** Active exhalation valve line pressure line
- 7** Active exhalation valve

SET THE CONTROLS ON THE DEVICE

3 Navigation system for setting controls (Image C)

Please see default settings labelled on the device.

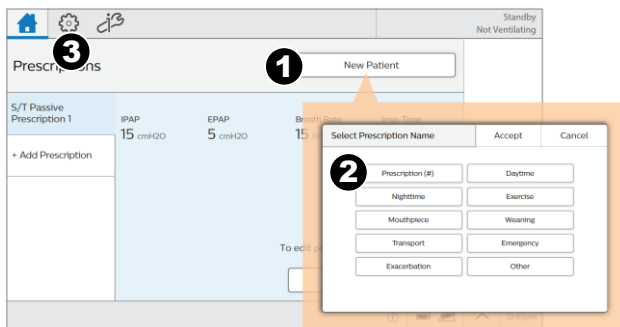
- ON/OFF button **1**
- Main navigation via touchscreen interface **2**
- Standby screen **3** will launch after device is switched on. Ensure that touchscreen lock is **off** in bottom right of touch screen
- Default set up is full access – if device is in limited access mode, override by pressing and holding digital clock icon (bottom right of screen) and the alarm silence button (on front panel) together for 5 seconds



OPERATE THE DEVICE

4 How do I select the mode? (Image D & E)

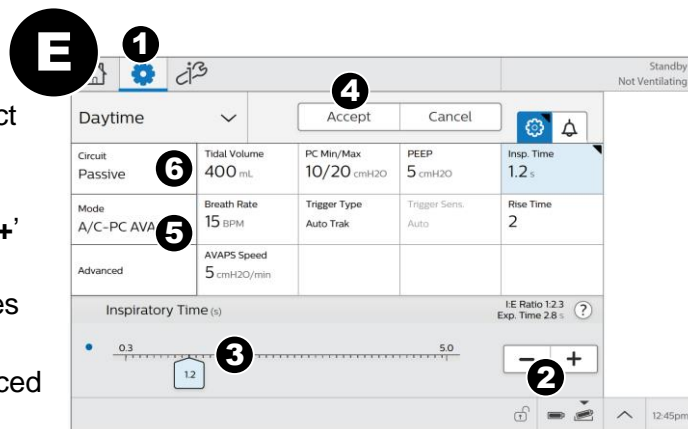
D Home Standby (Image D) screen launches after switching on device:



- Select NEW PATIENT **1** - this will clear logged patient data, preparing the device for a new patient's use
- Select PRESCRIPTION **2** - you will be prompted to acknowledge use of a bacterial filter with the circuit
- Select settings icon to edit prescription settings **3** - this will open a new screen (Image E)
- Select MODE by pressing mode area (**E5**) and selecting the required option – press ACCEPT **E4** to save
- Verify correct circuit/circuit size/ humidification by pressing **E6**

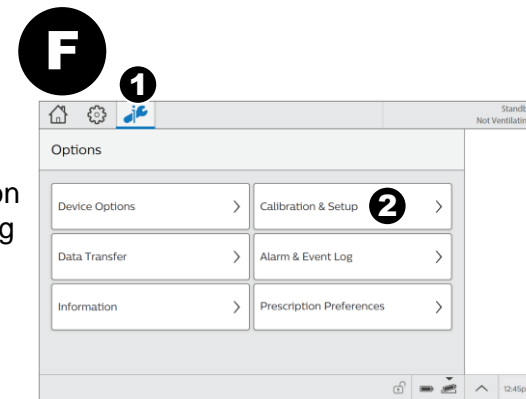
5 How do I change settings? (Image E)

- From SETTINGS menu **1** select parameter to be adjusted using touchscreen
- Change parameter value using '+' and '-' icons **2** or slider bar **3**
- Press ACCEPT **4** to save values
- Once values are saved, the ACCEPT button **4** will be replaced with START VENTILATION
- To initiate ventilation, press START VENTILATION

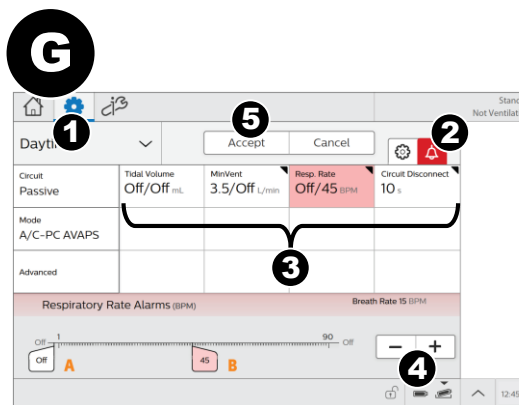


6 How do I check the device? (Image F)

- A leak test, calibration of oxygen/carbon dioxide sensors and circuit calibration can be performed by opening OPTIONS window **1**
- Click CALIBRATION & SETUP **2** and follow on screen instructions



7 What do the alarms mean? (Image G)



- From SETTINGS menu **1**, click Alarm **2**
- Click alarm to modified from options presented **3**
- Use + and - icons to adjust alarms **4**
- Click ACCEPT **5** to save alarm limits
- When activated, alarms generate audible and visual notifications. A red banner will appear at the top of the screen. By clicking on this banner more information regarding the alarm will be displayed.



Latest Training Information can be found on: <https://portal.e-lfh.org.uk/Component/Details/606835>